

ASSEMBLY INSTRUCTIONS

W a n d e r e r 

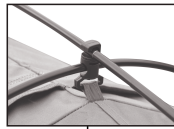
SWAG EXTREME HD DOUBLE
WANDERER



PLU : 619723

Wanderer 

Unique swivel hook for ease of assembly and durability



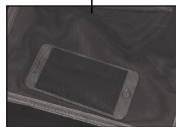
Heavy duty 520gsm poly-cotton waterproof canvas



Foot and side vents for greater ventilation



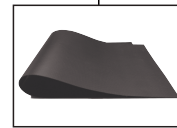
2 x inner mesh pockets for storage



8cm durable 4WD self-inflatable mattress for ultra comfort



Heavy duty 850gsm PVC bucket floor for durability

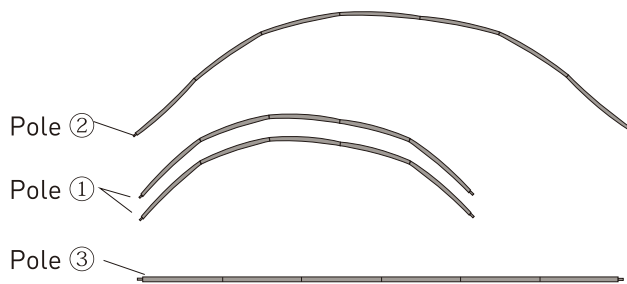


Heavy duty webbing and handle allows for easy rolling and carrying

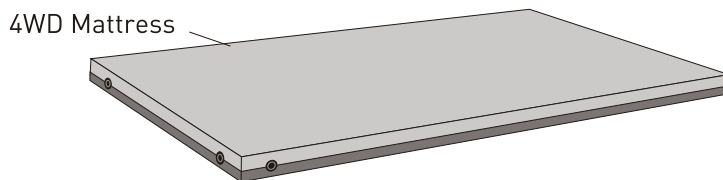


PARTS LIST:

DESCRIPTION	QTY
Swag Tent	1
4WD Mattress	1
Aluminium Alloy Pole 11mm	4
Steel Pegs	8
Carry Bag	1



Carry Bag



Pegs

SET UP INSTRUCTIONS

STEP 1

Choose a level firm surface, clear of any overhanging tree branches and clear of sticks, stones or any other objects that may damage the floor of you swag.

STEP 2

Undo buckles and roll out the swag. Make sure all zips are closed to keep the swag in its correct shape. Pull out the six peg points (A) of the floor firmly and secure using pegs.

STEP 3

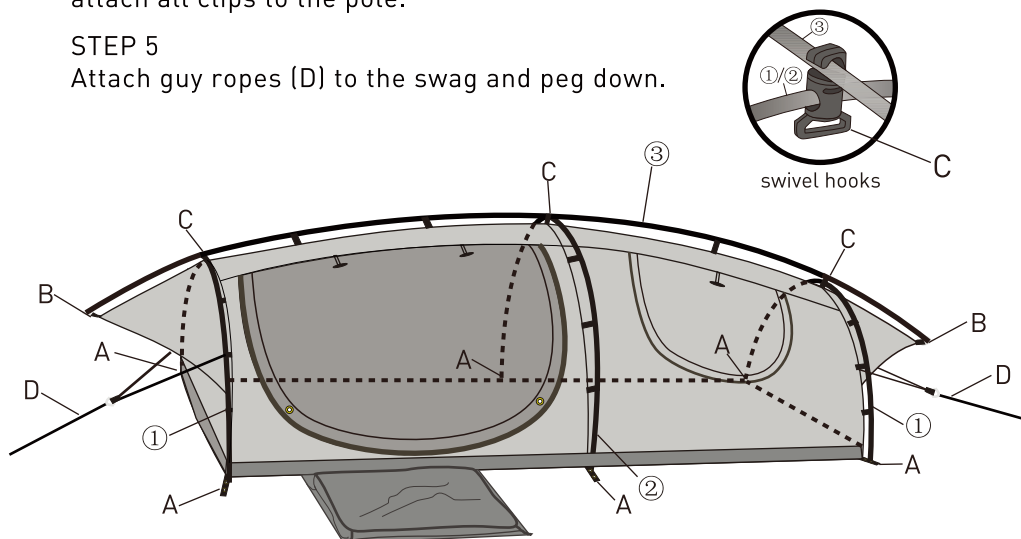
Take out pole ①&② and insert through the swivel hooks (C) [see picture] at the head, middle and foot area of swag. Secure ends with eyelets and attach all clips to the poles.

STEP 4

Take out pole ③ and insert two ends into the (B) eyelets, and buckle up to the swivel hooks (C) at the head, middle and foot area of swag, and attach all clips to the pole.

STEP 5

Attach guy ropes (D) to the swag and peg down.



SEASONING CANVAS

The nature of canvas means that during the manufacturing process, holes from stitching will still be open when you take the product out of the bag for the first time. All products containing canvas need to undergo a seasoning process to ensure they are waterproof for your first adventure.

Follow the below steps to season your canvas product.

1. Set up your swag (as per the instructions) like you are going to use it but remove the mattress.
2. Using a bucket or garden hose, soak the canvas material paying particular attention to stitching and seams. You will notice the canvas become darker as it soaks, this is normal. Disregard water leaking through the seams, this is also normal for this step.
3. Once all fabric on the outside is soaked, allow the canvas to dry completely. You will notice the original colour will return as it dries. A few hours will be enough in direct sun, 24 hours may be required in high humidity or overcast conditions.
4. Repeat steps 2 & 3 until you observe no water leaking through the seams. If you did not observe water leaking the first time, repeat from step 2 for a further 2 or 3 times.
5. Your canvas is now seasoned and ready to use. All stitching holes in the seams have now swollen to become waterproof.

You may have to repeat the seasoning process if the product is left in storage for a long period of time.

CARE AND SAFETY

Before using the swag for the first time, it is recommended to check everything is included and you become familiar with the assembly of the swag. It is also very important to season the swag before set up.

Never store the swag wet. If swag is wet, please take out from storage bag as soon as possible and leave spread out to dry completely before storing away.

Due to cold air outside and warm air inside the swag, condensation may form on the swag. This is a natural event. Ventilation will help minimise this.

WARNING

DO NOT use any form of flame or fuel burning appliances, heaters, candles or matches inside the swag.

DO NOT set up near open flame.

DO NOT use soap or detergent. Clean only with cold water and a brush.

DO NOT expose to petrol, oil or solvents.

DO NOT spray insecticides onto the swag.

DO NOT use this swag as a dwelling. This swag is designed as a recreational product only.

Manufactured & packaged for SRGS PTY LTD
ABN 23 113 230 050
6 Coulthards Avenue, Strathpine QLD 4500, Australia

MADE IN CHINA